

# EQN0713-16 Negative Slope Equalizer

7.0 to 11.0 GHz



## Technical Characteristics

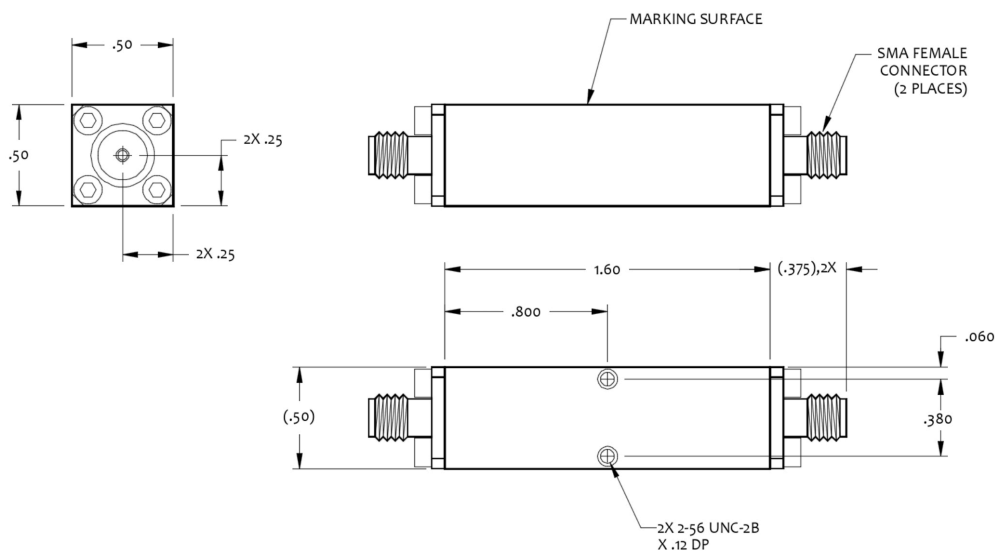
| Product Features  |
|---|
| Fixed or adjustable attenuation tuning                      |
| Low insertion loss  |
| SMA connector standard                                      |
| Impedance 50 or 75 ohms                                     |
| Compact size  |
| Meets MIL-E-5400 and MIL-E-16400 environmental requirements |

| Maximum Ratings       |               |
|-----------------------|---------------|
| Max. Input Power      | 250mW         |
| Operating Temperature | -55 to +95°C  |
| Storage Temperature   | -65 to +125°C |
| Specifications @      | 25°C          |

| Maximum Ratings                           |  |
|---|--|
| ECCN: EAR 99 (Unless otherwise specified) |  |
| HTS: 8543.7080.00                         |  |

| Parameters       | Freq. (GHz) | Minimum | Typical | Maximum | Units | Conditions |
|------------------|-------------|---------|---------|---------|-------|------------|
| Attenuation      | 7.0 to 13.0 |         | 16.0    |         | dB    |            |
| Insertion Loss   | 13.0        |         | 1.2     |         | dB    |            |
| VSWR             | 7.0 to 13.0 |         | 1.8:1   |         |       |            |
| Linearity        | 7.0 to 13.0 |         | +/-0.3  |         | dB    |            |
| Max. Input Power | 7.0 to 13.0 |         |         | 250     | mW    |            |

## Package Outline



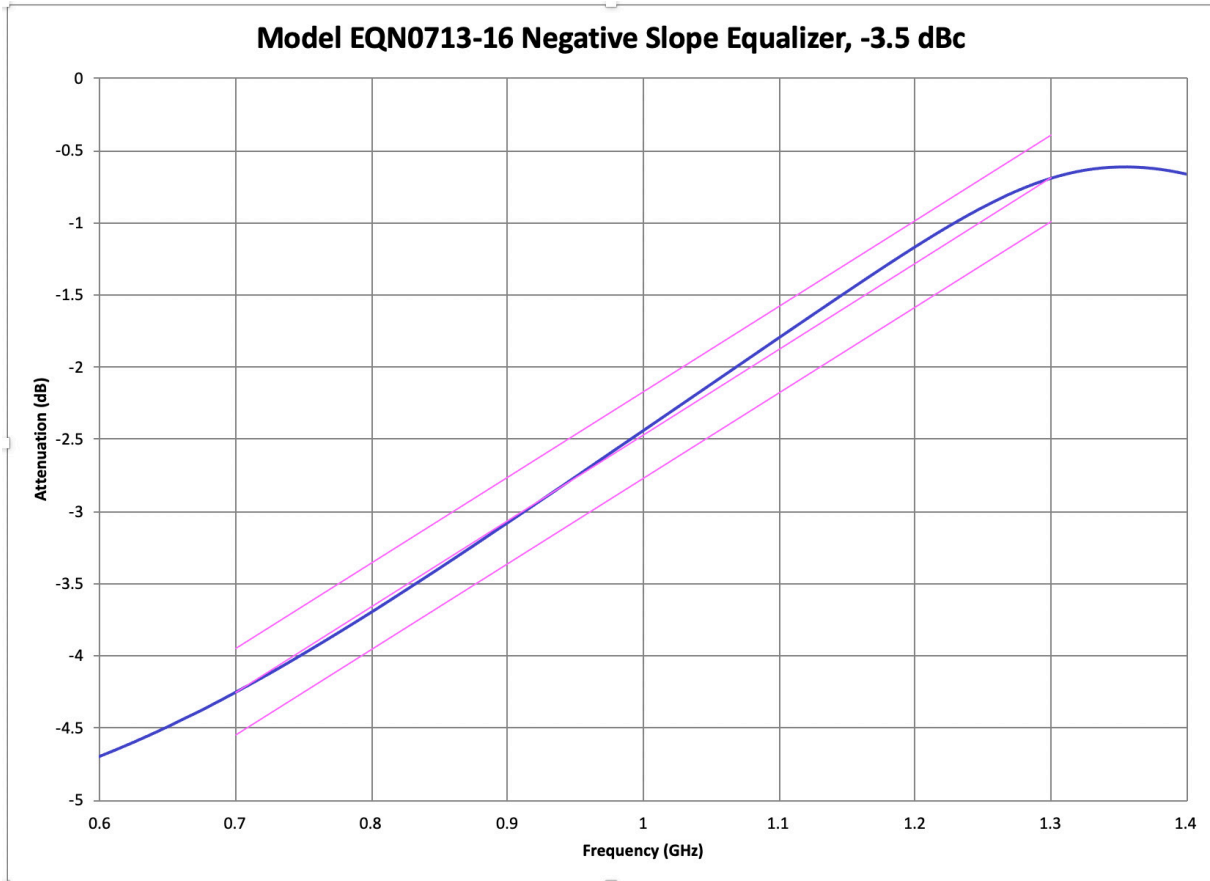
DISCLAIMER: Subject to change without notice.  
Rev(B) 09/12/19

# EQN0713-16 Negative Slope Equalizer

7.0 to 11.0 GHz



## Test Data



DISCLAIMER: Subject to change without notice.  
Rev(B) 09/12/19